

Waveguide Slide Tuners

Series 210

Features

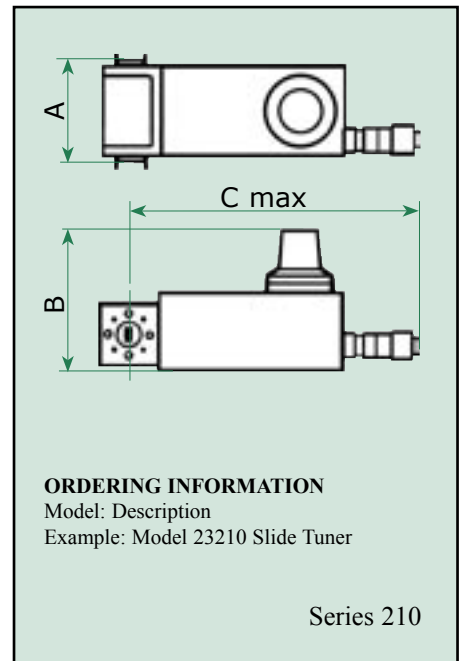
- Models up to 140GHz
- Highly Repeatable
- Full Range Tuning
- Lockable



Model 27210

The Flann Series 210 Slide Tuners consist of a precision waveguide machined in two halves, with a slot along the centre of one broad wall. A variable penetration capacitive probe is introduced through the slotted wall of the waveguide.

Longitudinal movement of the probe is adjusted by a vernier control which may be locked after positioning. Slide tuners are often easier to adjust than other types of tuners in which the tuning controls are interactive. The units are of a mechanically sound design and adequate precautions are taken to avoid erratic tuning and slot resonance.



Model	Frequency Range (GHz)	Waveguide			Dimensions (mm)			Model
		WG	R	WR	A	B	C	
23210	33.0 - 50.1	23	400	22	31.5	49	113	23210
24210	39.3 - 59.7	24	500	19	31.5	49	112	24210
25210	49.9 - 75.8	25	620	15	31.5	49	108	25210
26210	60.5 - 92.0	26	740	12	31.5	49	108	26210
27210	73.8 - 112	27	900	10	31.5	49	108	27210
28210	92.3 - 140	28	1200	8	31.5	49	108	28210

For standard flange types and recommendations see pages 108 onwards