

Direct Reading Frequency Meters

Series 072

Features

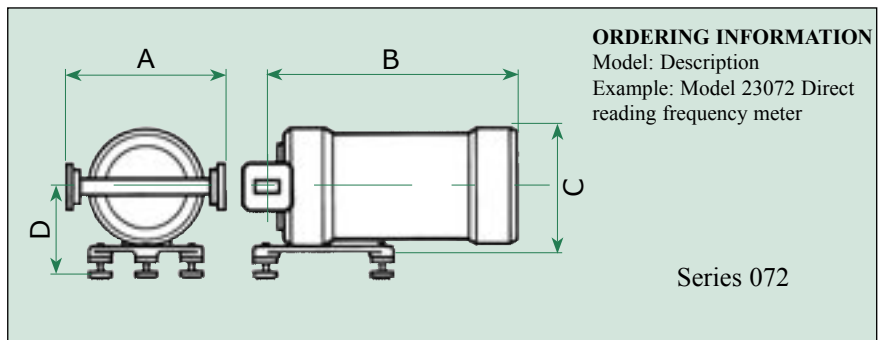
- **Direct Reading**
- **0.12% Accuracy***
- **High Q**
- **High Resolution**

The Flann Series 072 Direct Reading Frequency Meters are simple to operate and offer a high degree of measurement accuracy over the appropriate recommended waveguide frequency range. The design uses a TE_{111} mode high Q cavity tuned by a precision non-contacting piston. Care has been exercised in the design to achieve wide band operation without ambiguous response.

The drive mechanism is coupled to a helical drum scale directly calibrated in GHz. The frequency scale length for most models is in excess of 2500 mm and provides high resolution throughout the frequency band. The Frequency Meters are of the absorption type and the minimum tuned response for all models is 1 dB, so the customer is able to detect the resonance absorption. Models are available in most waveguide bands covering 3.94 to 140 GHz.



Model 20072



* Depending on Model

Model	Frequency Range (GHz)	Waveguide			Accuracy (%)*	Typical Loaded Q	Smallest Scale Increments (mHz)	Dimensions (mm)					Model
		WG	R	WR				A	B	C	D	min/ max	
12072	3.94 - 5.99	12	48	187	0.08	8,000	2	160	192	108	71/80	12072	
15072	6.58 - 10.0	15	84	112	0.08	6,300	2	135	226	109	71/80	15072	
16072	8.20 - 12.5	16	100	90	0.10	5,500	2	135	217	109	71/80	16072	
17072	9.84 - 15.0	17	120	75	0.10	5,200	5	135	212	109	71/80	17072	
18072	11.9 - 18.0	18	140	62	0.12	4,700	5	135	206	109	71/80	18072	
19072	14.5 - 22.0	19	180	51	0.12	4,200	5	135	205	109	71/80	19072	
20072	17.6 - 26.7	20	220	42	0.12	3,700	10	135	203	109	71/80	20072	
22072	26.4 - 40.1	22	320	28	0.12	3,000	10	100	169	110	71/80	22072	
23072	33.0 - 50.1	23	400	22	0.15	2,300	20	116	183	109	71/80	23072	
24072	39.3 - 59.7	24	500	19	0.15	2,300	20	92	176	109	71/80	24072	
25072	49.9 - 75.8	25	620	15	0.18	2,100	25	86	176	109	71/80	25072	
26072	60.5 - 92.0	26	740	12	0.18	1,800	26	86	176	109	71/80	26072	
27072	73.8 - 112	27	900	10	0.25	1,600	50	86	162	109	71/80	27072	
28072	92.3 - 140	28	1200	8	0.40	1,200	50	82	162	109	71/80	28072	

For standard flange types and recommendations see pages 108 onwards